

Waterproof pressure Sensor

HSPPAD143A

Single sensor measures air and water pressure, realizes low current consumption with a dedicated ASIC



Features

- Broad measurement range from 9,000 meters altitude to 10 meters underwater
- 1.8 μ A low current consumption (in Low Power mode)
- Use in combination with O-ring realizes outstanding water resistance with simple mechanical design
- High sensing resolution with 17-bit digital data output (2Pa/LSB)
- Built-in FIFO memory
- Surface mount type

Applications

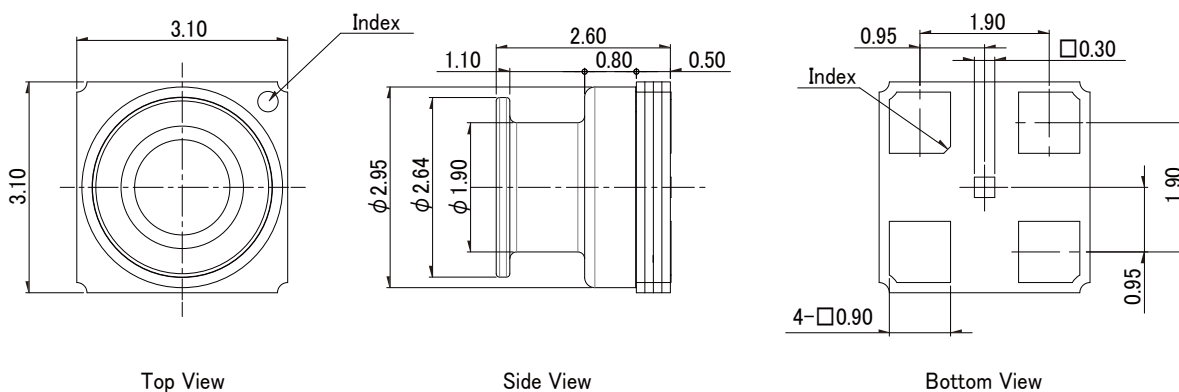
- Wearable devices
- Gas meter

Typical Specifications

Items	Specifications
Dimensions (W×D×H)	3.1mm×3.1mm×2.6mm
Current consumption	1.8 μ A (in Low Power mode)
Noise	2.6Pa (0.22m) (in High Resolution mode)
Pressure range	300 – 2100hPa
Resolution	2Pa/LSB
Measurement accuracy	+/- 2hPa (<1100hPa)

Dimensions

Unit : mm



Precautions when handling our products

●For the export of products which are controlled items subject to foreign and domestic export laws and regulations, you must obtain approval and/or follow the formalities of such laws and regulations. ●Products must not be used for military and/or antisocial purposes such as terrorism, and shall not be supplied to any party intending to use the products for such purposes. ●Unless provided for otherwise, the products have been designed and manufactured for application in equipment and devices which are sold to end users in the market, including audio-visual (AV) equipment, electrical home appliances, office machines, information and communication equipment, and amusement equipment. The products are not intended for use in, and must not be used for, any application for nuclear equipment, driving equipment for aerospace or any other unauthorized use. With the exception of the abovementioned prohibited applications, please contact an Alps Alpine sales representative and/or evaluate the total system regarding applicability for applications involving high levels of safety and liability such as medical equipment, burglar alarm equipment, disaster prevention equipment and undersea equipment. Please also incorporate fail-safe design, protection and redundant circuitry, malfunction protection, and/or fire protection into the complete system to ensure safety and reliability of the total system. ●Before using products which were not specifically designed for use in automotive applications, please contact an Alps Alpine sales representative.

Cautions for using this catalog

●Specification indicated in this catalog is outline only. When employing the product, use of an officially authorized specification for supply contract is recommended. ●Please note that the colors of products shown in this catalog may be a little different from those of the actual products. ●Names for products and companies and titles of specifications indicated in this catalog are mostly trademarks or registered trademarks of their respective owners. ●Please contact us for any enquiries and queries on our products and their uses. ●This catalog is valid till the end of December 2019.