

Common Mode Choke

Our production of common mode chokes has its origin in the needs of our own electronics laboratory dedicated to the development of switching power supplies and later it was enlarged for the needs of our clientele.

The chokes are manufactured in either the horizontal or vertical format on a ferrite core and, in some specific cases, even on toroid cores. Part of the range has been standardised, the following are the relative datasheets.



CN-V

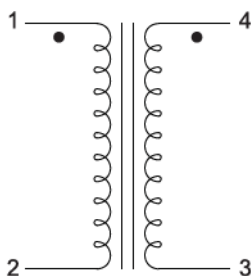
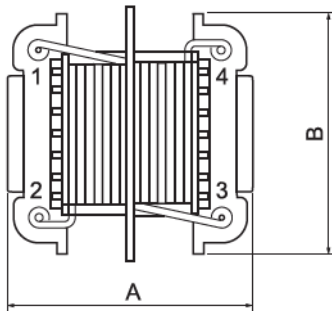
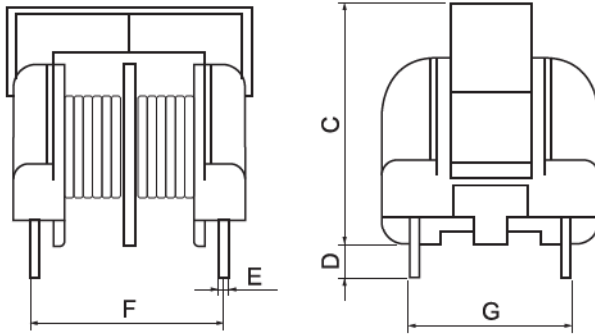
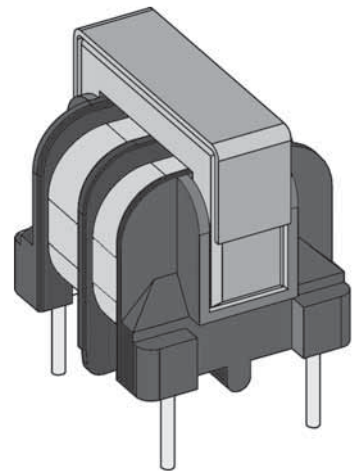
16

18

vertical
common
mode
chokes

Characteristics

Max. working voltage 300V
Rated current up to 2A
Working temperature 40°C
Compact, low profile, light-weight
UL conforming materials



Technical data

Model	L nominal (±30%)	resistance R	rated current I(40°C)	test voltage
	mH	mΩ	A	KV
CN16V-44M50A2N	44.5	7000	0.2	2.0
CN16V-24M50A3N	24.5	3500	0.3	2.0
CN16V-13M50A4N	13.5	2000	0.4	2.0
CN16V-06M40A5N	6.4	950	0.5	2.0
CN16V-03M00A8N	3.0	400	0.8	2.0
CN16V-01M41A1N	1.4	210	1.1	2.0
CN18V-43M00A3N	43.0	2300	0.3	2.0
CN18V-30M00A4N	30.0	1900	0.4	2.0
CN18V-20M00A5N	20.0	1400	0.5	2.0
CN18V-12M00A6N	12.0	980	0.6	2.0
CN18V-10M00A7N	10.0	680	0.7	2.0
CN18V-07M40A8N	7.4	340	0.8	2.0
CN18V-05M51A0N	5.5	280	1.0	2.0
CN18V-03M51A2N	3.5	230	1.2	2.0
CN18V-03M51A2N	3.0	150	1.3	2.0
CN18V-02M21A5N	2.2	120	1.5	2.0
CN18V-01M81A7N	1.8	100	1.7	2.0
CN18V-01M52A0N	1.5	80	2.0	2.0

Mechanical data (mm)

	CN16V	CN18V	Tolerance
A	15.0	18.0	± 1
B	11.0	16.0	± 1
C	16.0	17.5	± 1
D	4.5	3.5	± 1
E (∅)	0.6	0.9	± 0.1
F	8.0	13.0	± 0.5
G	7.0	10.0	± 0.5

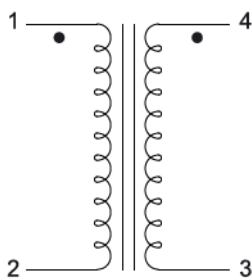
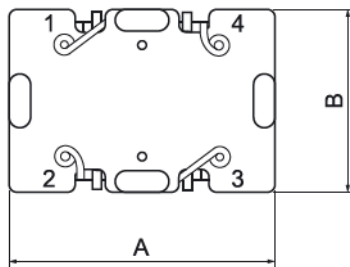
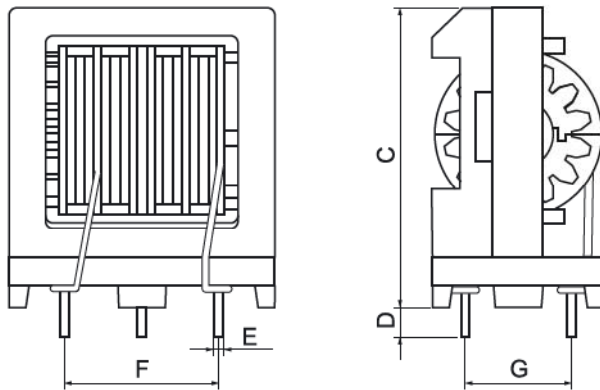
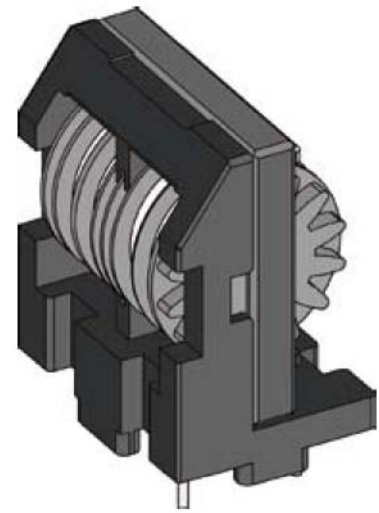
CN-V

20
24
28
35

vertical
common
mode
chokes

Characteristics

Max. working voltage 250V
Rated current up to 5A
Working temperature 40°C
Reduction of broadband noise
Noise suppression even in differential mode
UL conforming materials



Technical data

Model	L nominal (±30%)	resistance R	rated current I(40°C)	test voltage
	mH	mΩ	A	KV
CN20V-33M00A3	33.0	2200	0.3	3.0
CN20V-18M00A5	18.0	1300	0.5	3.0
CN20V-05M60A8	5.6	420	0.8	3.0
CN20V-03M91A0	3.9	280	1.0	3.0
CN20V-03M31A2	3.3	250	1.2	3.0
CN20V-01M81A5	1.8	150	1.5	3.0
CN20V-00M82A0	0.82	66	2.0	3.0
CN24V-47M00A5	47.0	1900	0.5	3.0
CN24V-18M00A8	18.0	555	0.8	3.0
CN24V-10M01A0	10.0	290	1.0	3.0
CN24V-04M51A5	4.5	155	1.5	3.0
CN24V-02M52A0	2.5	95	2.0	3.0
CN24V-01M23A0	1.2	50	3.0	3.0
CN24V-00M54A0	0.5	22	4.0	3.0
CN28V-75M01A0	75.0	625	1.0	3.0
CN28V-27M01A5	27.0	245	1.5	3.0
CN28V-15M02A0	15.0	155	2.0	3.0
CN28V-09M03A0	9.0	100	3.0	3.0
CN28V-03M54A0	3.5	45	4.0	3.0
CN28V-01M55A0	1.5	32	5.0	3.0
CN35V-90M01A0	90.0	1290	1.0	3.0
CN35V-20M02A0	20.0	342	2.0	3.0
CN35V-10M03A0	10.0	219	3.0	3.0
CN35V-05M04A0	5.0	96	4.0	3.0
CN35V-03M65A0	3.6	52	5.0	3.0

Mechanical data (mm)

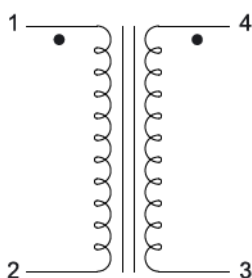
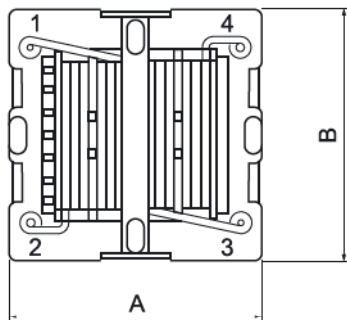
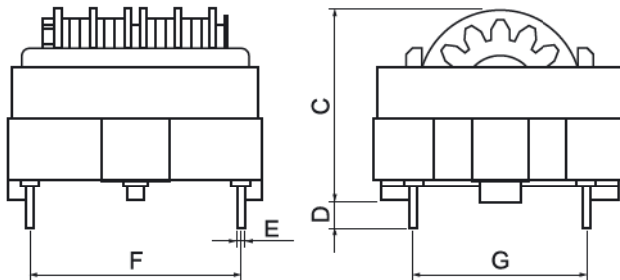
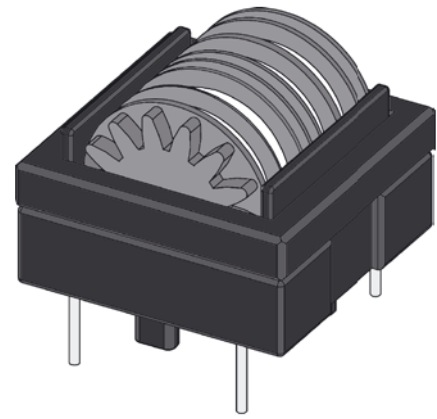
	CN20H	CN24H	CN28H	CN35H	Tolerance
A	21.0	24.6	29.2	36.0	± 1
B	16.0	17.4	21.0	24.5	± 1
C	25.0	29.1	34.7	42.7	± 1
D	4.0	4.0	4.0	4.0	± 1
E (∅)	0.8	0.8	0.8	0.8	± 0.1
F	13.0	13.0	13.0	21.0	± 0.5
G	10.0	10.0	10.0	15.0	± 0.5

CN-H 20 24 28 35

horizontal
common
mode
chokes

Characteristics

Max. working voltage 250V
Rated current up to 5A
Working temperature 40°C
Reduction of broadband noise
Noise suppression even in differential mode
UL conforming materials

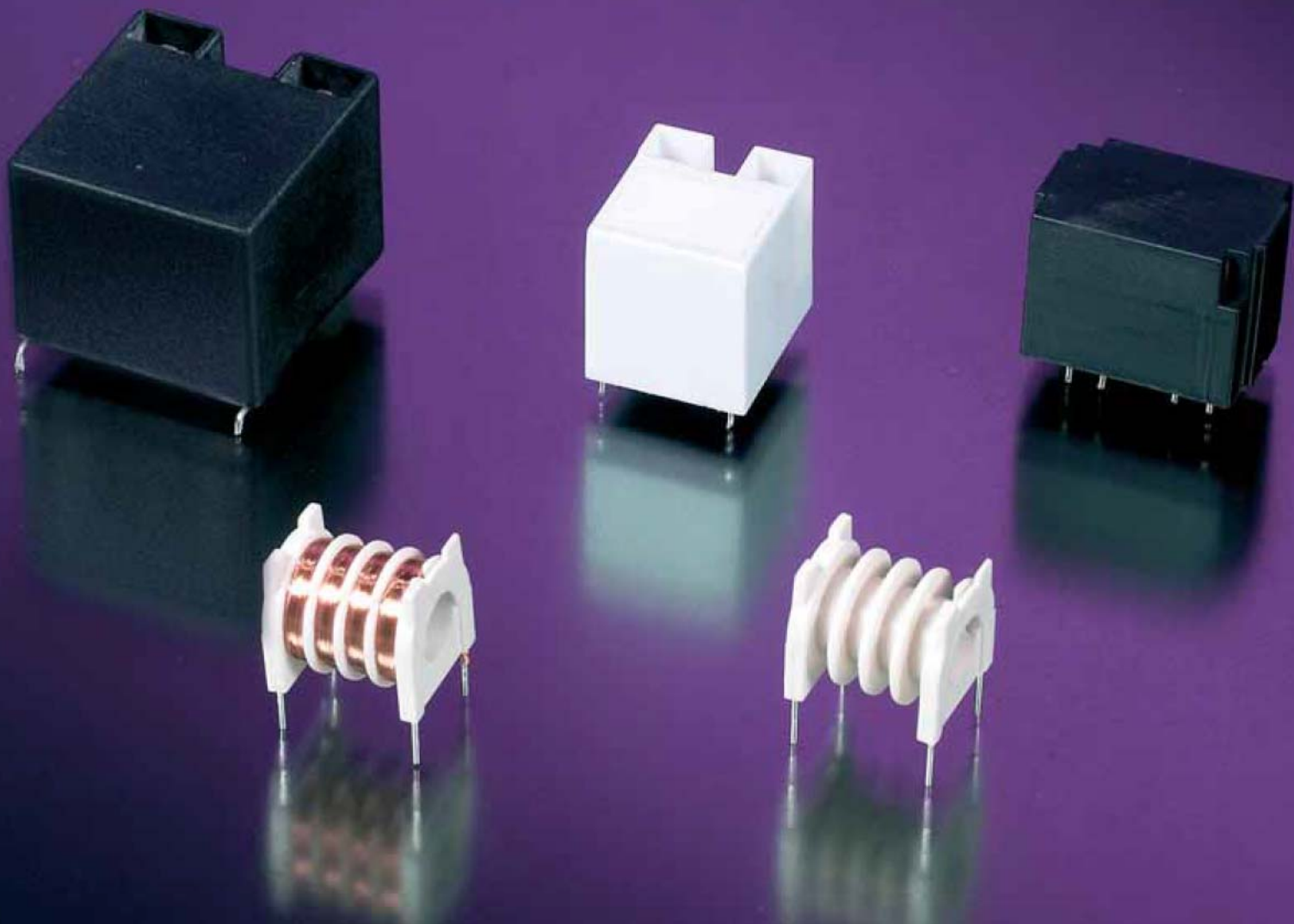


Technical data

Model	L nominal (±30%)	resistance R	rated current I(40°C)	test voltage
	mH	mΩ	A	KV
CN20H-33M00A3	33.0	2200	0.3	3.0
CN20H-18M00A5	18.0	1300	0.5	3.0
CN20H-05M60A8	5.6	420	0.8	3.0
CN20H-03M91A0	3.9	280	1.0	3.0
CN20H-03M31A2	3.3	250	1.2	3.0
CN20H-01M81A5	1.8	150	1.5	3.0
CN20H-00M82A0	0.82	66	2.0	3.0
CN24H-47M00A5	47.0	1900	0.5	3.0
CN24H-18M00A8	18.0	555	0.8	3.0
CN24H-10M01A0	10.0	290	1.0	3.0
CN24H-04M51A5	4.5	155	1.5	3.0
CN24H-02M52A0	2.5	95	2.0	3.0
CN24H-01M23A0	1.2	50	3.0	3.0
CN24H-00M54A0	0.5	22	4.0	3.0
CN28H-75M01A0	75.0	625	1.0	3.0
CN28H-27M01A5	27.0	245	1.5	3.0
CN28H-15M02A0	15.0	155	2.0	3.0
CN28H-09M03A0	9.0	100	3.0	3.0
CN28H-03M54A0	3.5	45	4.0	3.0
CN28H-01M55A0	1.5	32	5.0	3.0
CN35H-90M01A0	90.0	1290	1.0	3.0
CN35H-20M02A0	20.0	342	2.0	3.0
CN35H-10M03A0	10.0	219	3.0	3.0
CN35H-05M04A0	5.0	96	4.0	3.0
CN35H-03M65A0	3.6	52	5.0	3.0

Mechanical data (mm)

	CN20H	CN24H	CN28H	CN35H	Tolerance
A	21.0	24.0	28.0	36.0	± 1
B	21.0	24.0	28.0	36.0	± 1
C	17.8	20.0	22.9	27.7	± 1
D	4.0	4.0	4.0	4.0	± 1
E (∅)	0.8	0.8	0.8	1.0	± 0.1
F	13.0	21.0	24.0	30.0	± 0.5
G	10.0	15.0	20.0	25.0	± 0.5



Ignition coils

The experience that Comelit has matured over the years in the field of windings has allowed us to introduce into our production range this new range, made up of high voltage transformers for ignition in use in the heating industry.

Our talent for highly automating our processes has allowed us to optimise the product and its manufacture, to arrive at a very reliable product typified by an extreme repeatability of technical characteristics in production.

